

## Automatic Cut Line Argesystems

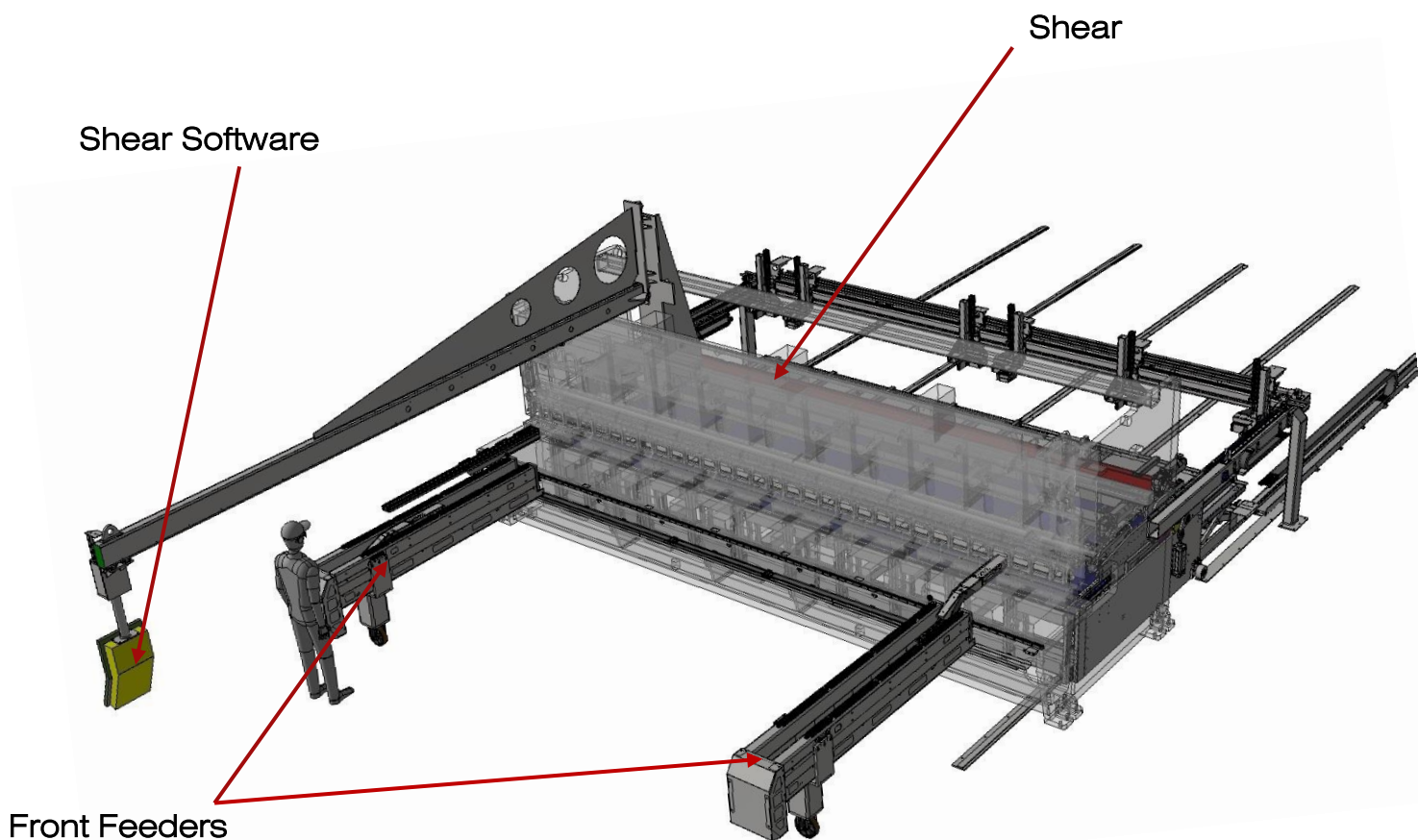
Automated cut center, designed to meet the needs of the customer, with the various configurations, providing for the automatic loading of the sheet up to the final packaging, for cutting thicknesses from 0.5 mm to 30 mm.

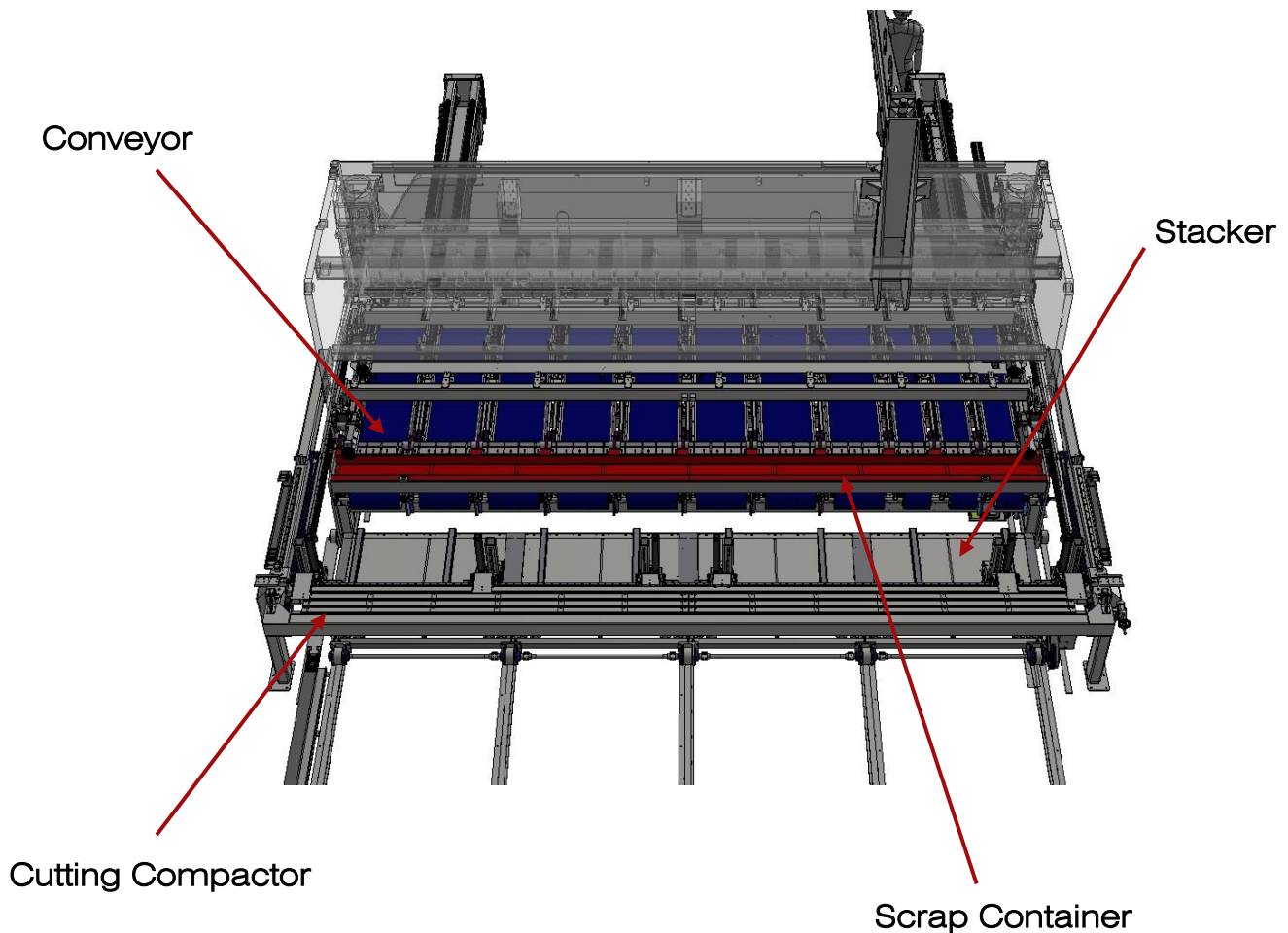
Argesystems offers a wide range of solutions, from automatic thickness readers, two-axes back gauge, front panel ejectors on the operator side, motorized stackers, multi-station packers.

We provide the turnkey package that goes from the automation of your work center, mechanical automation to software automation.

Our solutions include:

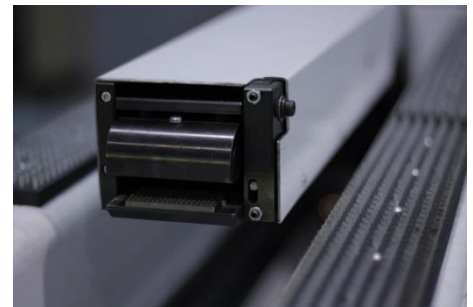
- Automatic loading and feeding systems
- Supporting and evacuation systems for cut pieces
- Stacking systems of the progressive cut down piece
- Evacuation scraps system
- Transport system of stacked cut sizes
- Complete management with configurable software with production needs





#### a) Arm Front Feeder:

Arm feeder composed of X1 and X2 axes with useful strokes up to 5000 mm, brush and ball surface, retractable support, clamp for automatic sheet feed, hardened and grounded rack transmission or ball screw.



#### b) Belt Conveyor with sheet metal support:

For thicknesses from 0.5 mm up to 30 mm systems, for steel or pre-painted sheets, included in the supply of sheet support rubber belts or chain for important thicknesses at variable speeds, scraper separator device and outgoing follower arms.



### c) Progressive Descent Stacker:

Stackers with progressive descent, to sustain and packaging the cutted pieces. Possibility to power the stacker to move it



### d) Cutting compactor:

Compactors designed to maintain the correct alignment on the sides of the cutted material. Possibility of multi-station.



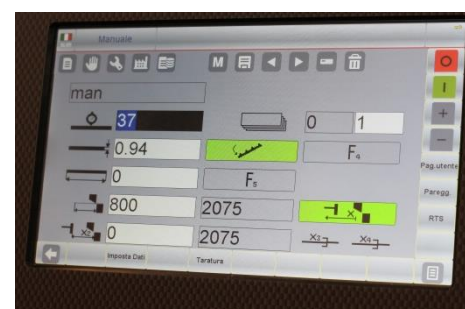
### e) Scrap separator

Scraper separator with manual or automatic control, for scrap separation. Designed for large sizes, or large thicknesses, with scrap container on the ground or raised.



### f) Software for the system management

Our software is designed and customized for the customer needs, and his own production. **argesystems** software can manage the whole system including the shears, or manage separate units.



### g) Thickness gauge

Gauge for real-time thickness acquisition of the sheet to be cutted, the machine parameterization will be automatically.

