

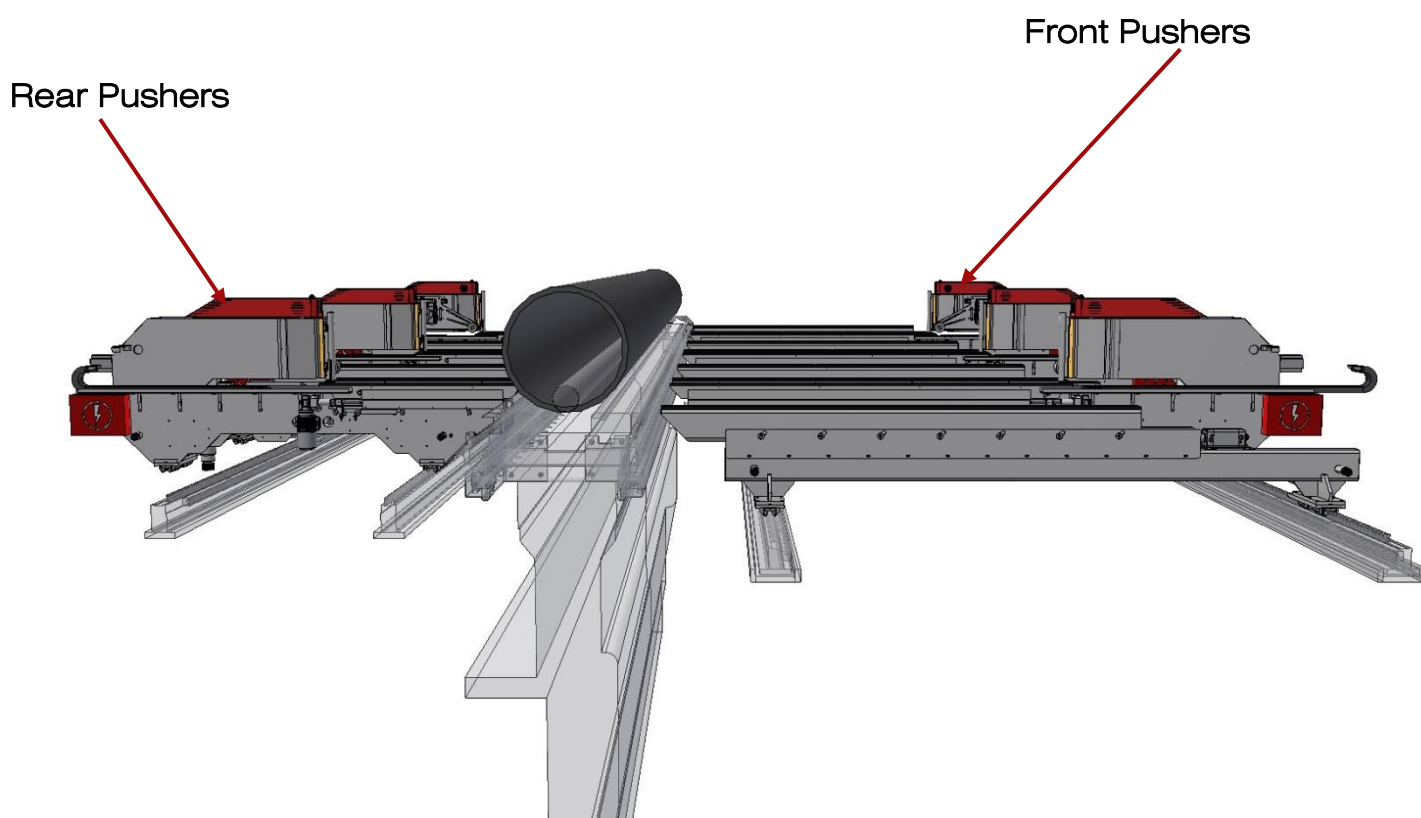
## Automatic Line For Poles Bending

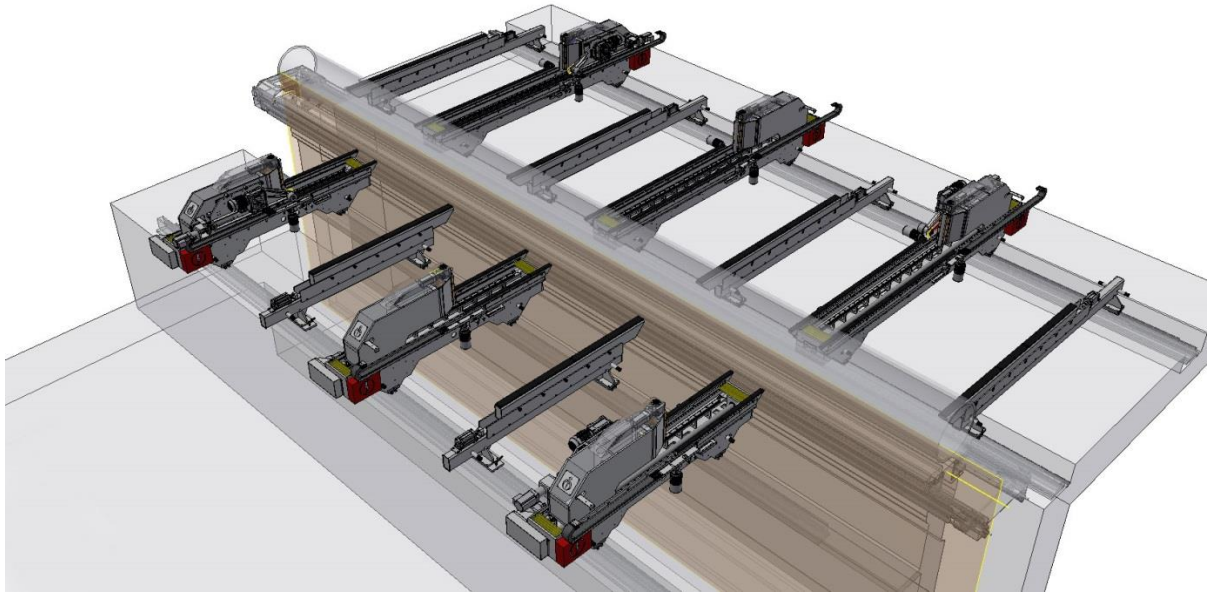
**argesystems** designs and develops automations to be inserted in the bending presses for poles shape, from small to large size, ranging from low or high tonnage press brake, to powers up to 3000 ton 18 meters length.

Our service includes the design, the dimensional checks, and the construction of the system up to the final testing of the same. Our technical office works in close contact with the customer offering the most technologically appropriate solutions requested.

The automations range from simple front and rear pushers, to automatic sheet loading, up to the finished pole discharge.

Up to 1500 kg per pusher, this to create the uniformity pole closing, the rear guards and adjustable height.



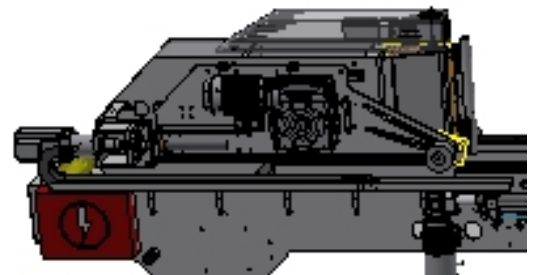


### a) Front and Rear Pushers

Pushers with strokes from 1600 mm to 3500 transmission with recirculating ball screw or hardened and ground rack. Thrust forces up to 1500kg.

### b) Pole Rotation System

Pole rotation systems can be inserted in the front and rear pushers. A mechanical system managed by the operator to achieve complete closure by crushing



### c) Front or side sheet metal loaders

For sheet metal loading management of small or large shapes, argesystems designs and manufactures for loading automation.

